

MACHINE KEYS

HUYETT.COM • 785-392-3017

BOX 232 • MINNEAPOLIS, KS • 67467
SALES@HUYETT.COM • FAX 785-392-2845

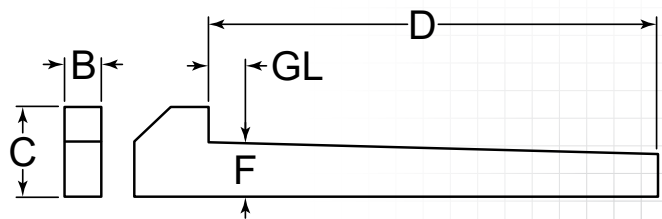
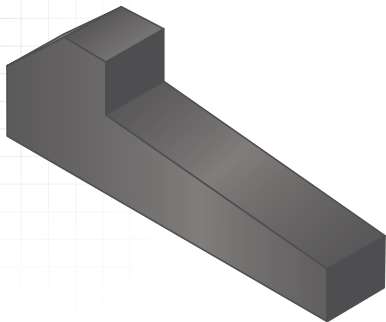
GIB HEAD – IMPERIAL

DESCRIPTION

Gib head keys are tapered machine keys used on power transmission keyed shafts to hold pulleys and gears tightly on the shaft. The added feature of a head provides for easy removal.

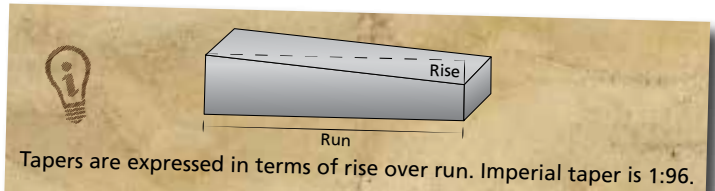
HOW TO IDENTIFY

1. Verify tapered key with gib head design.
2. Measure width (B).
3. Measure length (D).
4. Find the part number in the chart below.



PREFIX MATERIAL/FINISH

GIB = **CARBON STEEL, PLAIN***
Material/finish combinations may not be available in all sizes.



ITEM NUMBER	(D) LENGTH
.1250" (1/8) (B) Width	
(F) Effective Height: .1250" (1/8)	
(C) Overall Height: .2500" (1/4)	
(GL) Gage Length: .1250" (1/8)	
GIB-0125-1000	1.0000" (1)
GIB-0125-1500	1.5000" (1-1/2)
GIB-0125-2000	2.0000" (2)
GIB-0125-2500	2.5000" (2-1/2)
GIB-0125-3000	3.0000" (3)
GIB-0125-3500	3.5000" (3-1/2)
GIB-0125-4000	4.0000" (4)
GIB-0125-4500	4.5000" (4-1/2)
GIB-0125-5000	5.0000" (5)
.1875" (3/16) (B) Width	
(F) Effective Height: .1875" (3/16)	
(C) Overall Height: .3125" (5/16)	
(GL) Gage Length: .1875" (3/16)	
GIB-0187-1000	1.0000" (1)
GIB-0187-1187	1.1875" (1-3/16)
GIB-0187-1500	1.5000" (1-1/2)

ITEM NUMBER	(D) LENGTH
GIB-0187-2000	2.0000" (2)
GIB-0187-2500	2.5000" (2-1/2)
GIB-0187-3000	3.0000" (3)
GIB-0187-3500	3.5000" (3-1/2)
GIB-0187-4000	4.0000" (4)
GIB-0187-4500	4.5000" (4-1/2)
GIB-0187-5000	5.0000" (5)
.2500" (1/4) (B) Width	
(F) Effective Height: .2500" (1/4)	
(C) Overall Height: .4375" (7/16)	
(GL) Gage Length: .2500" (1/4)	
GIB-0250-1000	1.0000" (1)
GIB-0250-1187	1.1875" (1-3/16)
GIB-0250-1250	1.2500" (1-1/4)
GIB-0250-1500	1.5000" (1-1/2)
GIB-0250-1625	1.6250" (1-5/8)
GIB-0250-1687	1.6875" (1-11/16)
GIB-0250-1750	1.7500" (1-3/4)
GIB-0250-1937	1.9375" (1-15/16)
GIB-0250-2000	2.0000" (2)
GIB-0250-2500	2.5000" (2-1/2)
GIB-0250-3000	3.0000" (3)

ITEM NUMBER	(D) LENGTH
GIB-0250-3500	3.5000" (3-1/2)
GIB-0250-4000	4.0000" (4)
GIB-0250-4500	4.5000" (4-1/2)
GIB-0250-5000	5.0000" (5)
GIB-0250-5500	5.5000" (5-1/2)
GIB-0250-6000	6.0000" (6)
.3125" (5/16) (B) Width	
(F) Effective Height: .3125" (5/16)	
(C) Overall Height: .5000" (1/2)	
(GL) Gage Length: .3125" (5/16)	
GIB-0312-0750	.7500" (3/4)
GIB-0312-1000	1.0000" (1)
GIB-0312-1250	1.2500" (1-1/4)
GIB-0312-1500	1.5000" (1-1/2)
GIB-0312-1937	1.9375" (1-15/16)
GIB-0312-2000	2.0000" (2)
GIB-0312-2500	2.5000" (2-1/2)
GIB-0312-3000	3.0000" (3)
GIB-0312-3500	3.5000" (3-1/2)
GIB-0312-4000	4.0000" (4)
GIB-0312-4500	4.5000" (4-1/2)
GIB-0312-5000	5.0000" (5)

FOR DETAILED SPECIFICATIONS AND TOLERANCES, VISIT HUYETT.COM.

Prices, materials, dimensions, tolerances, designs, and grades subject to change without notice. © 2022 Huyett

*Limited warranty for surface finish: 30 days from date of shipment. See page 12 for details.



GIB HEAD – IMPERIAL

ITEM NUMBER	(D) LENGTH
GIB-0312-5500	5.5000" (5-1/2)
GIB-0312-6000	6.0000" (6)
GIB-0312-6500	6.5000" (6-1/2)
GIB-0312-7000	7.0000" (7)

.3750" (3/8) (B) Width	
(F) Effective Height: .3750" (3/8)	
(C) Overall Height: .6250" (5/8)	
(GL) Gage Length: .3750" (3/8)	
GIB-0375-1000	1.0000" (1)
GIB-0375-1250	1.2500" (1-1/4)
GIB-0375-1375	1.3750" (1-3/8)
GIB-0375-1500	1.5000" (1-1/2)
GIB-0375-1937	1.9375" (1-15/16)
GIB-0375-2000	2.0000" (2)
GIB-0375-2250	2.2500" (2-1/4)
GIB-0375-2500	2.5000" (2-1/2)
GIB-0375-2750	2.7500" (2-3/4)
GIB-0375-2937	2.9375" (2-15/16)
GIB-0375-3000	3.0000" (3)
GIB-0375-3500	3.5000" (3-1/2)
GIB-0375-4000	4.0000" (4)
GIB-0375-4500	4.5000" (4-1/2)
GIB-0375-5000	5.0000" (5)
GIB-0375-5500	5.5000" (5-1/2)
GIB-0375-6000	6.0000" (6)
GIB-0375-6500	6.5000" (6-1/2)
GIB-0375-7000	7.0000" (7)
GIB-0375-7500	7.5000" (7-1/2)
GIB-0375-8000	8.0000" (8)
GIB-0375-8500	8.5000" (8-1/2)

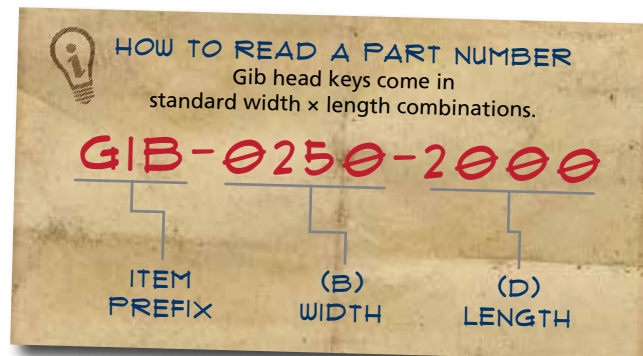
.4375" (7/16) (B) Width	
(F) Effective Height: .4375" (7/16)	
(C) Overall Height: .7500" (3/4)	
(GL) Gage Length: .4375" (7/16)	
GIB-0437-1000	1.0000" (1)
GIB-0437-1500	1.5000" (1-1/2)
GIB-0437-2000	2.0000" (2)
GIB-0437-2500	2.5000" (2-1/2)
GIB-0437-3000	3.0000" (3)
GIB-0437-3500	3.5000" (3-1/2)
GIB-0437-4000	4.0000" (4)
GIB-0437-4500	4.5000" (4-1/2)
GIB-0437-5000	5.0000" (5)
GIB-0437-5500	5.5000" (5-1/2)
GIB-0437-6000	6.0000" (6)
GIB-0437-6500	6.5000" (6-1/2)
GIB-0437-7000	7.0000" (7)
GIB-0437-7500	7.5000" (7-1/2)
GIB-0437-8000	8.0000" (8)

ITEM NUMBER	(D) LENGTH
GIB-0437-8500	8.5000" (8-1/2)
GIB-0437-9000	9.0000" (9)
GIB-0437-9500	9.5000" (9-1/2)
GIB-0437-10000	10.0000" (10)

.5000" (1/2) (B) Width	
(F) Effective Height: .5000" (1/2)	
(C) Overall Height: .7500" (3/4)	
(GL) Gage Length: .5000" (1/2)	
GIB-0500-1000	1.0000" (1)
GIB-0500-1500	1.5000" (1-1/2)
GIB-0500-2000	2.0000" (2)
GIB-0500-2250	2.2500" (2-1/4)
GIB-0500-2500	2.5000" (2-1/2)
GIB-0500-2750	2.7500" (2-3/4)
GIB-0500-2937	2.9375" (2-15/16)
GIB-0500-3000	3.0000" (3)
GIB-0500-3500	3.5000" (3-1/2)
GIB-0500-3750	3.7500" (3-3/4)
GIB-0500-4000	4.0000" (4)
GIB-0500-4500	4.5000" (4-1/2)
GIB-0500-5000	5.0000" (5)
GIB-0500-5500	5.5000" (5-1/2)
GIB-0500-6000	6.0000" (6)
GIB-0500-6500	6.5000" (6-1/2)
GIB-0500-7000	7.0000" (7)
GIB-0500-7500	7.5000" (7-1/2)
GIB-0500-8000	8.0000" (8)
GIB-0500-8500	8.5000" (8-1/2)
GIB-0500-9000	9.0000" (9)
GIB-0500-9500	9.5000" (9-1/2)
GIB-0500-10000	10.0000" (10)
GIB-0500-10500	10.5000" (10-1/2)
GIB-0500-11000	11.0000" (11)
GIB-0500-11500	11.5000" (11-1/2)
GIB-0500-12000	12.0000" (12)

ITEM NUMBER	(D) LENGTH
.5625" (9/16) (B) Width	
(F) Effective Height: .5625" (9/16)	
(C) Overall Height: .8750" (7/8)	
(GL) Gage Length: .5625" (9/16)	
GIB-0562-1000	1.0000" (1)
GIB-0562-1500	1.5000" (1-1/2)
GIB-0562-2000	2.0000" (2)
GIB-0562-2500	2.5000" (2-1/2)
GIB-0562-3000	3.0000" (3)
GIB-0562-3500	3.5000" (3-1/2)
GIB-0562-4000	4.0000" (4)
GIB-0562-4500	4.5000" (4-1/2)
GIB-0562-5000	5.0000" (5)
GIB-0562-5500	5.5000" (5-1/2)
GIB-0562-6000	6.0000" (6)
GIB-0562-6500	6.5000" (6-1/2)
GIB-0562-7000	7.0000" (7)
GIB-0562-7500	7.5000" (7-1/2)
GIB-0562-8000	8.0000" (8)
GIB-0562-8500	8.5000" (8-1/2)
GIB-0562-9000	9.0000" (9)
GIB-0562-9500	9.5000" (9-1/2)
GIB-0562-10000	10.0000" (10)
GIB-0562-10500	10.5000" (10-1/2)
GIB-0562-11000	11.0000" (11)
GIB-0562-11500	11.5000" (11-1/2)
GIB-0562-12000	12.0000" (12)

ZINC PLATING AND OTHER FINISHES AVAILABLE FOR ALL PARTS
SEE PAGE 16



MACHINE KEYS

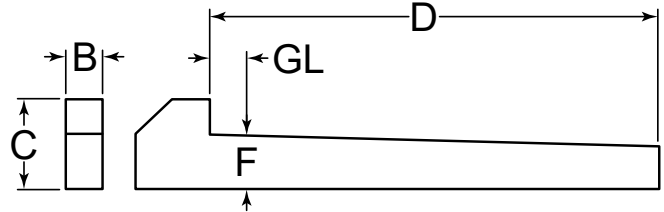
HUYETT.COM • 785-392-3017

BOX 232 • MINNEAPOLIS, KS • 67467
SALES@HUYETT.COM • FAX 785-392-2845

GIB HEAD – IMPERIAL

PREFIX MATERIAL/FINISH

GIB = CARBON STEEL, PLAIN*
Material/finish combinations may not be available in all sizes.



ITEM NUMBER	(D) LENGTH
.6250" (5/8) (B) Width	
(F) Effective Height: .6250" (5/8) (C) Overall Height: 1.0000" (1) (GL) Gauge Length: .6250" (5/8)	
GIB-0625-1500	1.5000" (1-1/2)
GIB-0625-2000	2.0000" (2)
GIB-0625-2500	2.5000" (2-1/2)
GIB-0625-2750	2.7500" (2-3/4)
GIB-0625-2937	2.9375" (2-15/16)
GIB-0625-3000	3.0000" (3)
GIB-0625-3500	3.5000" (3-1/2)
GIB-0625-4000	4.0000" (4)
GIB-0625-4500	4.5000" (4-1/2)
GIB-0625-5000	5.0000" (5)
GIB-0625-5500	5.5000" (5-1/2)
GIB-0625-6000	6.0000" (6)
GIB-0625-6500	6.5000" (6-1/2)
GIB-0625-7000	7.0000" (7)
GIB-0625-7500	7.5000" (7-1/2)
GIB-0625-8000	8.0000" (8)
GIB-0625-8500	8.5000" (8-1/2)
GIB-0625-9000	9.0000" (9)
GIB-0625-9500	9.5000" (9-1/2)
GIB-0625-10000	10.0000" (10)
GIB-0625-10500	10.5000" (10-1/2)
GIB-0625-11000	11.0000" (11)
GIB-0625-11500	11.5000" (11-1/2)
GIB-0625-12000	12.0000" (12)
.7500" (3/4) (B) Width	
(F) Effective Height: .7500" (3/4) (C) Overall Height: 1.1250" (1-1/8) (GL) Gauge Length: .7500" (3/4)	
GIB-0750-1500	1.5000" (1-1/2)
GIB-0750-2000	2.0000" (2)
GIB-0750-2500	2.5000" (2-1/2)
GIB-0750-3000	3.0000" (3)
GIB-0750-3500	3.5000" (3-1/2)
GIB-0750-3750	3.7500" (3-3/4)
GIB-0750-4000	4.0000" (4)
GIB-0750-4500	4.5000" (4-1/2)
GIB-0750-5000	5.0000" (5)

ITEM NUMBER	(D) LENGTH
GIB-0750-5500	5.5000" (5-1/2)
GIB-0750-6000	6.0000" (6)
GIB-0750-6500	6.5000" (6-1/2)
GIB-0750-7000	7.0000" (7)
GIB-0750-7500	7.5000" (7-1/2)
GIB-0750-7750	7.7500" (7-3/4)
GIB-0750-8000	8.0000" (8)
GIB-0750-8500	8.5000" (8-1/2)
GIB-0750-9000	9.0000" (9)
GIB-0750-9500	9.5000" (9-1/2)
GIB-0750-10000	10.0000" (10)
GIB-0750-10500	10.5000" (10-1/2)
GIB-0750-11000	11.0000" (11)
GIB-0750-11500	11.5000" (11-1/2)
GIB-0750-12000	12.0000" (12)
.8750" (7/8) (B) Width	
(F) Effective Height: .8750" (7/8) (C) Overall Height: 1.2500" (1-1/4) (GL) Gauge Length: .8750" (7/8)	
GIB-0875-2000	2.0000" (2)
GIB-0875-2500	2.5000" (2-1/2)
GIB-0875-3000	3.0000" (3)
GIB-0875-3500	3.5000" (3-1/2)
GIB-0875-4000	4.0000" (4)
GIB-0875-4500	4.5000" (4-1/2)
GIB-0875-5000	5.0000" (5)
GIB-0875-5500	5.5000" (5-1/2)
GIB-0875-6000	6.0000" (6)
GIB-0875-6500	6.5000" (6-1/2)
GIB-0875-7000	7.0000" (7)
GIB-0875-7500	7.5000" (7-1/2)
GIB-0875-8000	8.0000" (8)
GIB-0875-8500	8.5000" (8-1/2)
GIB-0875-9000	9.0000" (9)
GIB-0875-9500	9.5000" (9-1/2)
GIB-0875-10000	10.0000" (10)
GIB-0875-10500	10.5000" (10-1/2)
GIB-0875-11000	11.0000" (11)
GIB-0875-11500	11.5000" (11-1/2)
GIB-0875-12000	12.0000" (12)

ITEM NUMBER	(D) LENGTH
1.0000" (1) (B) Width	
(F) Effective Height: 1.0000" (1) (C) Overall Height: 1.5000" (1-1/2) (GL) Gauge Length: 1.0000" (1)	
GIB-1000-2500	2.5000" (2-1/2)
GIB-1000-3000	3.0000" (3)
GIB-1000-3500	3.5000" (3-1/2)
GIB-1000-4000	4.0000" (4)
GIB-1000-4500	4.5000" (4-1/2)
GIB-1000-4750	4.7500" (4-3/4)
GIB-1000-5000	5.0000" (5)
GIB-1000-5500	5.5000" (5-1/2)
GIB-1000-6000	6.0000" (6)
GIB-1000-6500	6.5000" (6-1/2)
GIB-1000-7000	7.0000" (7)
GIB-1000-7500	7.5000" (7-1/2)
GIB-1000-8000	8.0000" (8)
GIB-1000-8500	8.5000" (8-1/2)
GIB-1000-9000	9.0000" (9)
GIB-1000-9500	9.5000" (9-1/2)
GIB-1000-10000	10.0000" (10)
GIB-1000-10500	10.5000" (10-1/2)
GIB-1000-11000	11.0000" (11)
GIB-1000-11500	11.5000" (11-1/2)
GIB-1000-12000	12.0000" (12)
GIB-1000-16000	16.0000" (16)
1.1250" (1-1/8) (B) Width	
(F) Effective Height: 1.1250" (1-1/8) (C) Overall Height: 1.7500" (1-3/4) (GL) Gauge Length: 1.1250" (1-1/8)	
GIB-1125-2500	2.5000" (2-1/2)
GIB-1125-3000	3.0000" (3)
GIB-1125-3500	3.5000" (3-1/2)
GIB-1125-4000	4.0000" (4)
GIB-1125-4500	4.5000" (4-1/2)
GIB-1125-5000	5.0000" (5)
GIB-1125-5500	5.5000" (5-1/2)
GIB-1125-6000	6.0000" (6)
GIB-1125-6500	6.5000" (6-1/2)
GIB-1125-7000	7.0000" (7)
GIB-1125-7500	7.5000" (7-1/2)

FOR DETAILED SPECIFICATIONS AND TOLERANCES, VISIT HUYETT.COM.
Prices, materials, dimensions, tolerances, designs, and grades subject to change without notice. © 2022 Huyett
*Limited warranty for surface finish: 30 days from date of shipment. See page 12 for details.



GIB HEAD – IMPERIAL

ITEM NUMBER	(D) LENGTH
GIB-1125-8000	8.0000" (8)
GIB-1125-8500	8.5000" (8-1/2)
GIB-1125-9000	9.0000" (9)
GIB-1125-9500	9.5000" (9-1/2)
GIB-1125-10000	10.0000" (10)
GIB-1125-10500	10.5000" (10-1/2)
GIB-1125-11000	11.0000" (11)
GIB-1125-11500	11.5000" (11-1/2)
GIB-1125-12000	12.0000" (12)

ITEM NUMBER	(D) LENGTH
GIB-1375-8000	8.0000" (8)
GIB-1375-8500	8.5000" (8-1/2)
GIB-1375-9000	9.0000" (9)
GIB-1375-9500	9.5000" (9-1/2)
GIB-1375-10000	10.0000" (10)
GIB-1375-10500	10.5000" (10-1/2)
GIB-1375-11000	11.0000" (11)
GIB-1375-11500	11.5000" (11-1/2)
GIB-1375-12000	12.0000" (12)

ITEM NUMBER	(D) LENGTH
GIB-1625-9500	9.5000" (9-1/2)
GIB-1625-10000	10.0000" (10)
GIB-1625-10500	10.5000" (10-1/2)
GIB-1625-11000	11.0000" (11)
GIB-1625-11500	11.5000" (11-1/2)
GIB-1625-12000	12.0000" (12)

1.2500" (1-1/4) (B) Width	
(F) Effective Height: 1.2500" (1-1/4)	
(C) Overall Height: 1.8750" (1-7/8)	
(GL) Gage Length: 1.2500" (1-1/4)	
GIB-1250-3000	3.0000" (3)
GIB-1250-3500	3.5000" (3-1/2)
GIB-1250-4000	4.0000" (4)
GIB-1250-4500	4.5000" (4-1/2)
GIB-1250-5000	5.0000" (5)
GIB-1250-5500	5.5000" (5-1/2)
GIB-1250-6000	6.0000" (6)
GIB-1250-6500	6.5000" (6-1/2)
GIB-1250-7000	7.0000" (7)
GIB-1250-7500	7.5000" (7-1/2)
GIB-1250-8000	8.0000" (8)
GIB-1250-8500	8.5000" (8-1/2)
GIB-1250-9000	9.0000" (9)
GIB-1250-9500	9.5000" (9-1/2)
GIB-1250-10000	10.0000" (10)
GIB-1250-10500	10.5000" (10-1/2)
GIB-1250-11000	11.0000" (11)
GIB-1250-11500	11.5000" (11-1/2)
GIB-1250-12000	12.0000" (12)
GIB-1250-14000	14.0000" (14)

1.5000" (1-1/2) (B) Width	
(F) Effective Height: 1.5000" (1-1/2)	
(C) Overall Height: 2.5000" (2-1/2)	
(GL) Gage Length: 1.5000" (1-1/2)	
GIB-1500-3500	3.5000" (3-1/2)
GIB-1500-4000	4.0000" (4)
GIB-1500-4500	4.5000" (4-1/2)
GIB-1500-5000	5.0000" (5)
GIB-1500-5500	5.5000" (5-1/2)
GIB-1500-6000	6.0000" (6)
GIB-1500-6500	6.5000" (6-1/2)
GIB-1500-7000	7.0000" (7)
GIB-1500-7500	7.5000" (7-1/2)
GIB-1500-8000	8.0000" (8)
GIB-1500-8500	8.5000" (8-1/2)
GIB-1500-9000	9.0000" (9)
GIB-1500-9500	9.5000" (9-1/2)
GIB-1500-10000	10.0000" (10)
GIB-1500-10500	10.5000" (10-1/2)
GIB-1500-11000	11.0000" (11)
GIB-1500-11500	11.5000" (11-1/2)
GIB-1500-12000	12.0000" (12)

1.7500" (1-3/4) (B) Width	
(F) Effective Height: 1.7500" (1-3/4)	
(C) Overall Height: 2.7500" (2-3/4)	
(GL) Gage Length: 1.7500" (1-3/4)	
GIB-1750-4000	4.0000" (4)
GIB-1750-4500	4.5000" (4-1/2)
GIB-1750-5000	5.0000" (5)
GIB-1750-5500	5.5000" (5-1/2)
GIB-1750-6000	6.0000" (6)
GIB-1750-6500	6.5000" (6-1/2)
GIB-1750-7000	7.0000" (7)
GIB-1750-7500	7.5000" (7-1/2)
GIB-1750-8000	8.0000" (8)
GIB-1750-8500	8.5000" (8-1/2)
GIB-1750-9000	9.0000" (9)
GIB-1750-9500	9.5000" (9-1/2)
GIB-1750-10000	10.0000" (10)
GIB-1750-10500	10.5000" (10-1/2)
GIB-1750-11000	11.0000" (11)
GIB-1750-11500	11.5000" (11-1/2)
GIB-1750-12000	12.0000" (12)

1.3750" (1-3/8) (B) Width	
(F) Effective Height: 1.3750" (1-3/8)	
(C) Overall Height: 2.0000" (2)	
(GL) Gage Length: 1.3750" (1-3/8)	
GIB-1375-3000	3.0000" (3)
GIB-1375-3500	3.5000" (3-1/2)
GIB-1375-4000	4.0000" (4)
GIB-1375-4500	4.5000" (4-1/2)
GIB-1375-5000	5.0000" (5)
GIB-1375-5500	5.5000" (5-1/2)
GIB-1375-6000	6.0000" (6)
GIB-1375-6500	6.5000" (6-1/2)
GIB-1375-7000	7.0000" (7)
GIB-1375-7500	7.5000" (7-1/2)

1.6250" (1-5/8) (B) Width	
(F) Effective Height: 1.6250" (1-5/8)	
(C) Overall Height: 2.5000" (2-1/2)	
(GL) Gage Length: 1.6250" (1-5/8)	
GIB-1625-3500	3.5000" (3-1/2)
GIB-1625-4000	4.0000" (4)
GIB-1625-4500	4.5000" (4-1/2)
GIB-1625-5000	5.0000" (5)
GIB-1625-5500	5.5000" (5-1/2)
GIB-1625-6000	6.0000" (6)
GIB-1625-6500	6.5000" (6-1/2)
GIB-1625-7000	7.0000" (7)
GIB-1625-7500	7.5000" (7-1/2)
GIB-1625-8000	8.0000" (8)
GIB-1625-8500	8.5000" (8-1/2)
GIB-1625-9000	9.0000" (9)

2.0000" (2) (B) Width	
(F) Effective Height: 2.0000" (2)	
(C) Overall Height: 3.0000" (3)	
(GL) Gage Length: 2.0000" (2)	
GIB-2000-4500	4.5000" (4-1/2)
GIB-2000-5000	5.0000" (5)
GIB-2000-5500	5.5000" (5-1/2)
GIB-2000-6000	6.0000" (6)
GIB-2000-6500	6.5000" (6-1/2)
GIB-2000-7000	7.0000" (7)
GIB-2000-7500	7.5000" (7-1/2)
GIB-2000-8000	8.0000" (8)
GIB-2000-8500	8.5000" (8-1/2)
GIB-2000-9000	9.0000" (9)
GIB-2000-9500	9.5000" (9-1/2)
GIB-2000-10000	10.0000" (10)
GIB-2000-10500	10.5000" (10-1/2)
GIB-2000-11000	11.0000" (11)
GIB-2000-11500	11.5000" (11-1/2)
GIB-2000-12000	12.0000" (12)